



Brass Gate Valve

ISO 9001 FM584850

2020.1

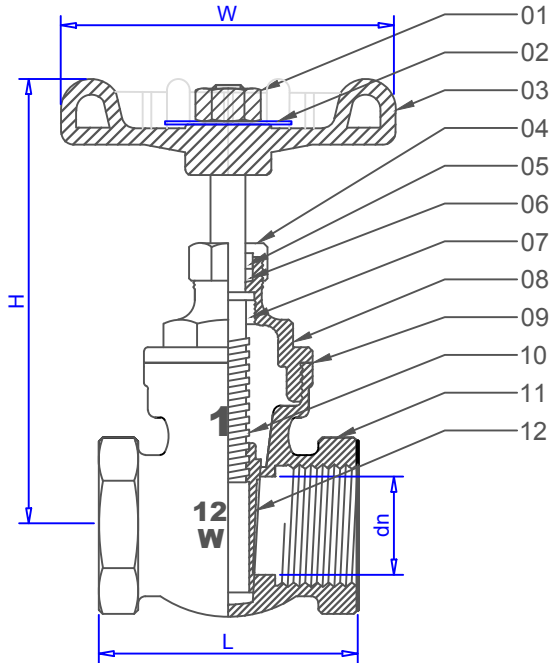


Fig. JD-F117

No.	Description	Material	Q'ty	Note
01	Nut	SS304	1	
02	Name plate	Aluminum	1	
03	Handle wheel	Aluminum	1	red color
04	Packing gland	Brass HPb57-3	1	
05	Packing ring	Brass HPb57-3	1	
06	Packing	PTFE	1	
07	Locking ring	Brass HPb57-3	1	
08	Bonnet	Brass HPb57-3	1	
09	Gasket	PTFE	1	
10	Stem	Brass HPb57-3	1	
11	Body	Brass HPb57-3	1	
12	Disc	Brass HPb57-3	1	

Feature

1. non rising stem
2. screwed in bonnet
3. forged brass
4. connect ends comply to JIS Rc

Dimension

unit : mm

SIZE	1/2"	3/4"	1"	1-1/4"	1-1/2"	2"
H	75	85	95	115	125	155
L	41	46	50	59	60	67
W	50	55	60	70	85	85
dn	13.5	19.5	25.5	31	38	49

Series Gate Valves

- ST-101 Bronze Gate Valves, 200WOG (PN16)
- ST-201 Bronze Gate Valves, 300WOG (PN20)
- ST-102 Bronze Gate Valves, solder ends, PN16
- ST-104 Bronze Gate Valves with cover bonnet, solder ends, PN16
- ST-205 Bronze Gate Valves with rising stem, PN20
- ST-206 Bronze Gate Valves, PN25



2020.1

Website : valve-toho.com