



# Brass Ball Valve

ISO 9001 FM584850

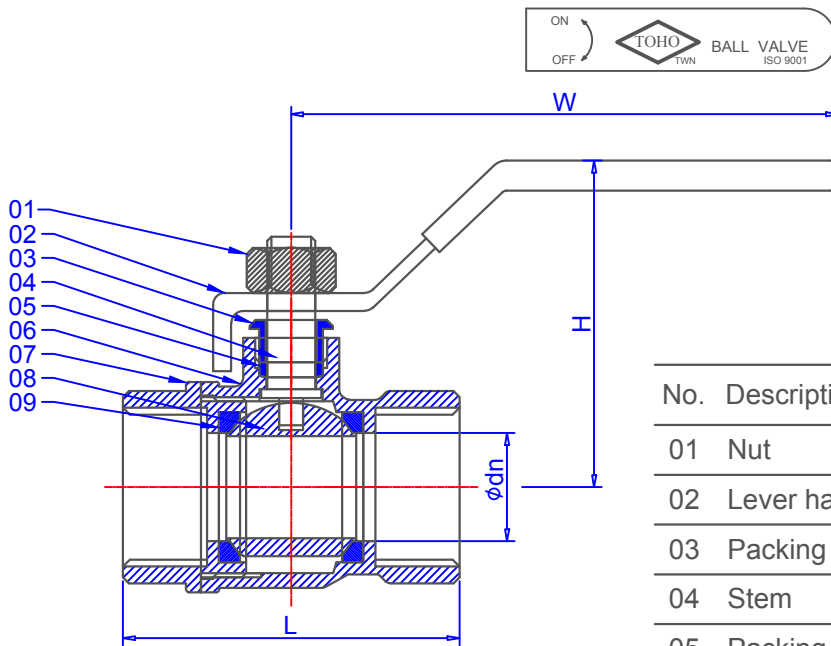


fig. JD-F603

Body Marking	
	DN50 PN30

### Feature

1. Blow-out proof stem
2. Two piece design
3. Full port

No.	Description	Material	Q'ty
01	Nut	SS304	1
02	Lever handle	Steel	1
03	Packing gland	Brass	1
04	Stem	Brass	1
05	Packing	PTFE	1
06	Body	Brass	1
07	Cap	Brass	1
08	Ball	Brass with Chrome plated	1
09	Ball seat	PTFE	2

## DIMENSION

unit : mm

SIZE	1/4"	3/8"	1/2"	3/4"	1"	1-1/4"	1-1/2"	2"	2-1/2"	3"	4"
H	44	44	48	52	62	67	74	85			
L	40	40	52	57	72	79	90	103			
W	83	83	89	92	103	116	133	144			
dn	10	10	14.5	19	25	30	37	46			

### Series Ball Valves

ST-600 Bronze Ball Valves, Red. port, 600WOG

ST-601 Bronze Ball Valves, Full port, 600WOG

JD-F614 Brass Ball Valves, M/M ends, PN30

JD-F605 Brass Ball Valves, PN16



2020.1

Website : [valve-toho.com](http://valve-toho.com)