



Brass Ball Valve

ISO 9001 FM584850

Feature

1. Blow-out proof stem
2. Two piece design
3. Full port
4. Working pressure PN25

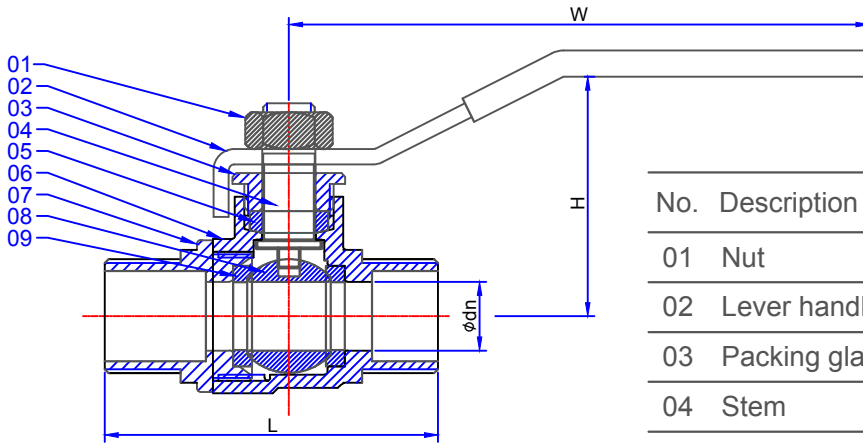


fig. JD-F614

No.	Description	Material	Q'ty	Note
01	Nut	Steel	1	
02	Lever handle	Steel	1	
03	Packing gland	Brass	1	
04	Stem	Brass	1	
05	Packing	PTFE	1	
06	Body	Brass	1	
07	Cap	Brass	1	
08	Ball	Brass	1	Chrome plated
09	Ball seat	PTFE	2	

DIMENSION

unit : mm

SIZE	1/2"	3/4"	1"	1-1/4"	1-1/2"	2"
H	48	52	62	67	74	85
L	51	58	68	82	103	111
W	89	92	103	116	133	144
dn	14.5	19	25	30	37	46

Series Ball Valves

ST-600 Bronze Ball Valves, Red. port, 600WOG

ST-601 Bronze Ball Valves, Full port, 600WOG

JD-F603 Brass Ball Valves, PN30

JD-F605 Brass Ball Valves, PN16

JD-F606 Brass Ball Valves, 600WOG

