



# Bronze Y-Strainer

ISO 9001 FM584850

2020.1

### Feature

1. SUS 304 screen, mesh 20.
2. with Drain
3. Two layers when screen smaller than mesh 20.
4. Working pressure 150LBS.

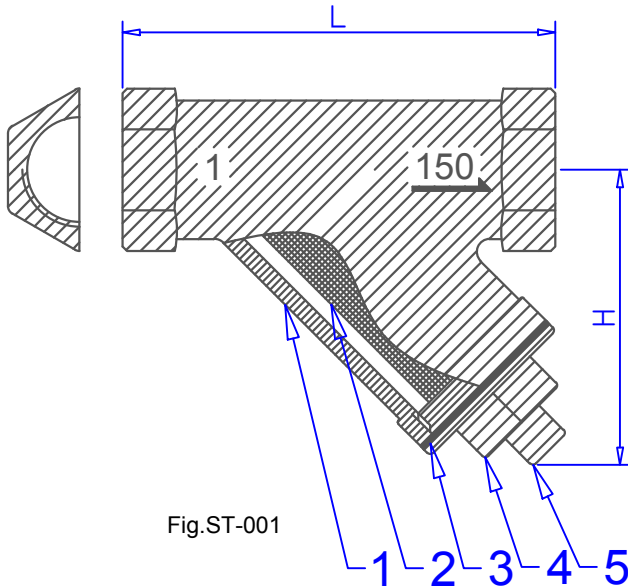


Fig.ST-001

| No. | Description | Material      | Q'ty | Note    |
|-----|-------------|---------------|------|---------|
| 01  | Body        | Bronze C84400 | 1    |         |
| 02  | Screen      | SS304         | 1    | mesh 20 |
| 03  | Gasket      | PTFE          | 1    |         |
| 04  | Cap         | Bronze C84400 | 1    |         |
| 05  | Plug        | Bronze C84400 | 1    |         |

### Dimension

unit : mm

| SIZE | 1/2" | 3/4" | 1"  | 1-1/4" | 1-1/2" | 2"  | 2-1/2" | 3"  |
|------|------|------|-----|--------|--------|-----|--------|-----|
| L    | 80   | 100  | 115 | 135    | 160    | 190 | 229    | 264 |
| H    | 60   | 70   | 75  | 90     | 102    | 128 | 132    | 146 |

### Series Y-Strainer

ST-001s Bronze Y-Strainer, PN16 (economic type)

ST-002 Bronze Y-Strainer, 150LBS (round body)



2020.1