



Bronze Gate Valve

ISO 9001 FM584850

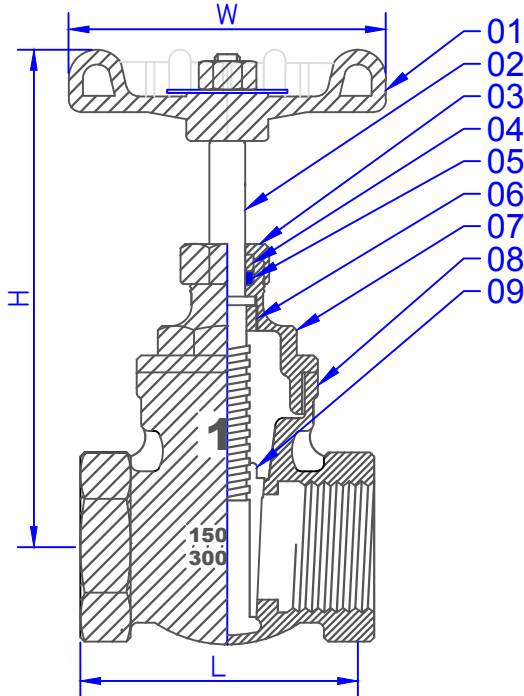


fig. ST-201

No.	Description	Material	Q'ty	Note
01	Handlewheel	Aluminum	1	
02	Stem	Brass C36000	1	
03	Packing gland	Brass	1	
04	Packing ring	Brass	1	
05	Paacking	PTFE	1	
06	Stem ring	Brass	1	
07	Bonnet	Bronze B584 C84400	1	
08	Body	Bronze B584 C84400	1	
09	Disc	Bronze B584 C84400	1	

Feature

1. non rising stem
2. screwed in bonnet
3. 150psi saturated steam to 185°C or 365°F
4. working pressure 300 psi

Dimension

unit : mm

SIZE	1/4"	3/8"	1/2"	3/4"	1"	1-1/4"	1-1/2"	2"	2-1/2"	3"	4"
H	85	85	88	95	110	135	142	162	200	215	290
L	43	43	47	51	61	65	68	72	97	100	117
W	54	54	54	61	61	77	77	83	105	112	132

Series Gate Valves

- ST-101 Bronze Gate Valves, 200WOG (PN16)
- ST-102 Bronze Gate Valves, solder ends, PN16
- ST-104 Bronze Gate Valves with cover bonnet, solder ends, PN16
- ST-205 Bronze Gate Valves with rising stem, PN20
- ST-206 Bronze Gate Valves, PN25
- JD-F117 Brass Gate Valves, 125psi



2020.1

Website : valve-toho.com