



# Bronze Gate Valve

ISO 9001 FM584850

2017.1

## Feature

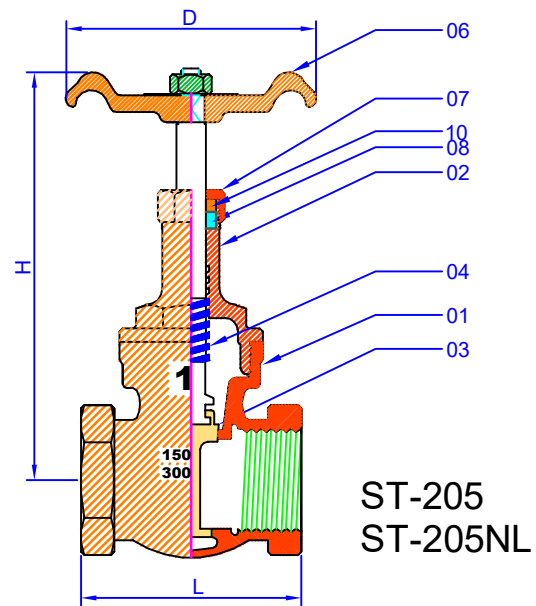
1. rising stem
2. screwed in bonnet
3. 150psi saturated steam to 185 °C or 365 °F
4. working pressure 300 psi

Connect ends comply to

- B.1.20.1 (NPT)
- BS21.0 (BSPT)
- ISO-7 (Rc, Rp)

Working Pressure non Shock ( unit : psi )	
Saturated Steam	cold Water, Oil, Gas
150	300
Test Pressure ( unit : psi )	
Shell (Water)	Seat (Air)
450	80

100 psi = 7Kg (7bar) = 0.7Mpa



## DIMENSION

unit : mm

SIZE	1/2"	3/4"	1"	1.1/4"	1.1/2"	2"
H	102	120	150	164	190	245
L	47	51	61	65	68	72
D	54	61	76	76	83	105

N	Nut	Steel	Steel	1
P	Nameplate	Aluminum	Aluminum	1
10	Packing Ring	Brass C3604	Brass C3604	1
8	Packing	Teflon	Teflon	1
7	Packing Gland	Brass C3604	Brass C3604	1
6	Handlewheel	Aluminum	Aluminum	1
4	Stem	ASTM C36000	ASTM C6802	1
3	Disc	ASTM C84400	ASTM C89844	1
2	Bonnet	ASTM C84400	ASTM C89844	1
1	Body	ASTM C84400	ASTM C89844	1
No.	Parts	BRONZE	NL <del>Pb</del>	Q'ty

Body Marking		
	"inch" SIZE	
	150WSP	
	300WOG	

Body Marking		
	"inch" SIZE	
LF	150WSP	
	300WOG	

Note. ASTM B62 C83600 is available  
 Note. DZR (AS352) stem is available  
 Note. Aluminum handle wheel is available