

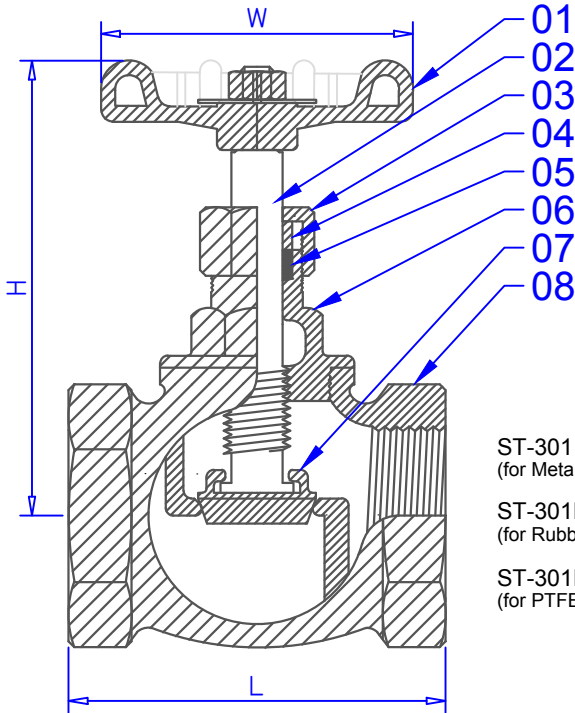


Bronze Globe Valve

ISO 9001 FM584850

2020.1

Fig.ST-301



ST-301
(for Metal disc)
ST-301R
(for Rubber disc washer)
ST-301F
(for PTFE disc washer)

Feature

1. rising stem
2. screwed in bonnet
3. 150psi saturated steam to 185°C or 365°F
4. working pressure 300 psi

No.	Description	Material	Q'ty
01	Handlewheel	Aluminum	1
02	Stem	Brass C36000	1
03	Packing gland	Brass	1
04	Packing ring	Brass	1
05	Packing	PTFE	1
06	Bonnet	1" ↑ Bronze C84400 3/4" ↓ Brass C36000	1 1
07	Disc	Brass C36000	1
08	Body	Bronze C84400	1

Dimension

unit : mm

SIZE	1/4"	3/8"	1/2"	3/4"	1"	1-1/4"	1-1/2"	2"	2-1/2"	3"	4"
H	69	69	69	78	89	115	120	142	157	192	221
L	45	45	50	57	65	75	85	100	120	137	153
W	54	54	54	61	68	76	76	83	105	112	132

Series Globe Valve

ST-302 Bronze Globe Valve, with SDNR disc, 300WOG

ST-308 Bronze Globe Valve, with union Bonnet, PN16



2020.1

Website : valve-toho.com