



Bronze Globe Valve

ISO 9001 FM584850

2020.1

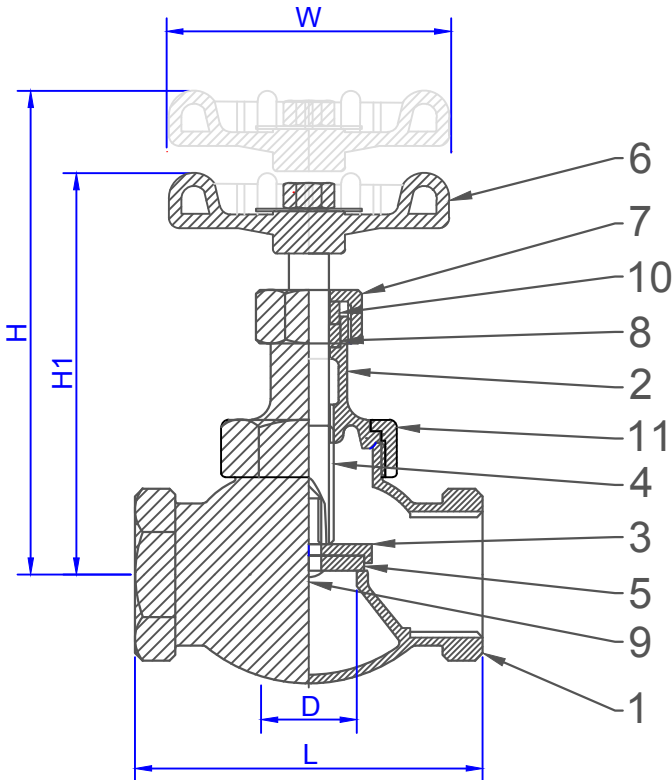


Fig.ST-308

11	Union nut	ASTM C84400 3/4"↓ Brass C3604	1
10	Packing Ring	Brass C3604	1
9	Bolt	SS304	1
8	Packing	PTFE	1
7	Packing Gland	Brass C3604	1
6	Handlewheel	Aluminum Red	1
5	Disc washer	NBR	1
4	Stem	Brass C36000	1
3	Disc holder	Brass C36000	1
2	Bonnet	ASTM C84400 3/4"↓ Brass C3604	1
1	Body	ASTM C84400	1
No.	Parts	BRONZE	Note Qty

Feature

1. rising stem
2. union bonnet
3. comply to BS 5154
4. Working pressure PN16

Option

1. SDNR type
2. PTFE disc washer

DIMENSION	unit : mm					
SIZE	1/2"	3/4"	1"	1.1/4"	1.1/2"	2"
H	95	109	120	139	159	190
H1	84	96	105	119	134	158
L	65	75	91	105	120	145
W	61	68	76	76	76	83
D	15	20	25	32	40	50

Series Globe Valve

ST-301 Bronze Globe Valve, with screw Bonnet, PN20

ST-302 Bronze Globe Valve, with SDNR disc, 300WOG