

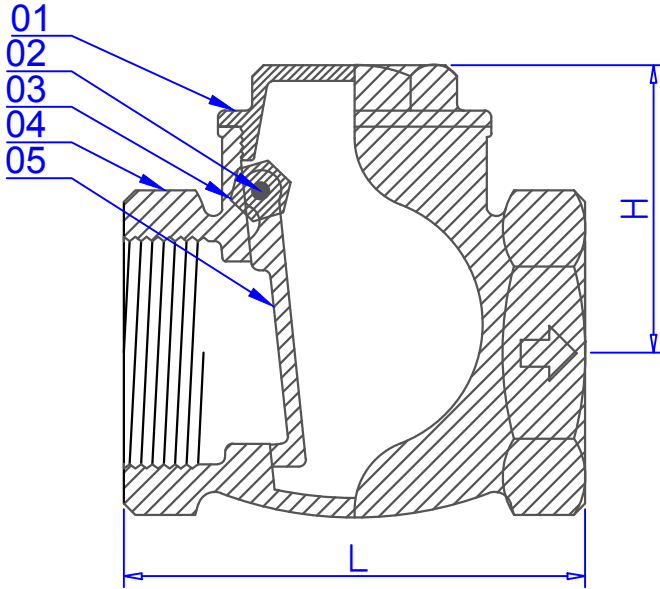


Bronze Swing Check Valve

ISO 9001 FM584850

2020.1

Fig.ST-401



Feature

1. Horizontal swing type.
2. SS 304 Hinge Pin for 2 1/2"--4"

No.	Description	Material	Q'ty
01	Cap	Bronze C84400	1
02	Hinge pin	Brass	1
03	Plug	Brass	1
04	Body	Bronze C84400	1
05	Disc	Bronze C84400	1

Dimension

unit : mm

SIZE	1/4"	3/8"	1/2"	3/4"	1"	1.1/4"	1.1/2"	2"	2.1/2"	3"	4"
H		39	39	43	48	58	61	68	86	97	113
L		55	55	63	73	81	92	108	137	148	180

Series Check Valves

ST-402 Bronze Lift Check Valve

ST-403 Bronze Y type Swing Check Valve, thread ends

ST-404 Bronze Y type Swing Check Valve, solder ends

ST-700 Bronze Vertical Check Valve, solder ends (Spring Check, Silent Check)

ST-701 Bronze Vertical Check Valve, thread ends (Spring Check, Silent Check)



2020.1

Website : valve-toho.com