



# Bronze Swing Check Valve

ISO 9001 FM584850

2020.1

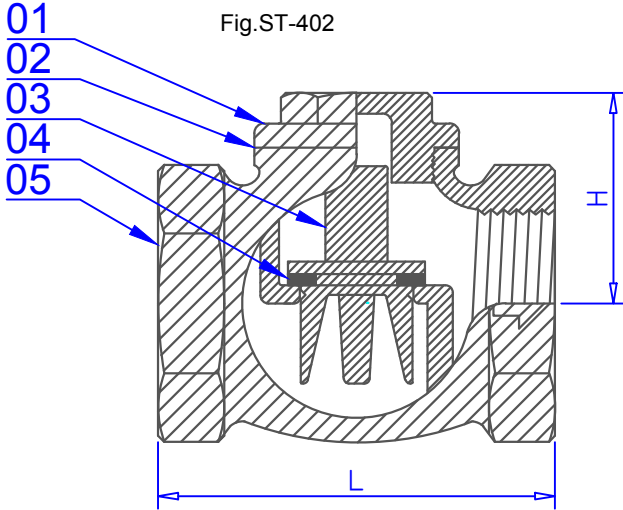


Fig.ST-402

Fig.ST-402M for Metal Disc  
 Fig.ST-402O for O-ring Disc washer  
 Fig.ST-402F for PTFE Disc washer

## Feature

1. Lift type.
2. renewable disc

No.	Description	Material	Q'ty	Note
01	Cap	1-1/4" ↑ Bronze C84400	1	
		1" ↓ Brass		
02	Gasket	PTFE or O-ring	1	
03	Disc	Bronze C84400	1	
04	Disc washer	NBR	1	
05	Body	Bronze C84400	1	
		Spring		
		SUS 304		

## Dimension

unit : mm

SIZE	1/4"	3/8"	1/2"	3/4"	1"	1.1/4"	1.1/2"	2"
H	27	28	28	29	38	45	48	56
L	45	45	50	57	65	75	85	100

## Series Check Valves

- ST-401 Bronze Swing Check Valve
- ST-403 Bronze Y type Swing Check Valve, thread ends
- ST-404 Bronze Y type Swing Check Valve, solder ends
- ST-700 Bronze Vertical Check Valve, solder ends (Spring Check, Silent Check)
- ST-701 Bronze Vertical Check Valve, thread ends (Spring Check, Silent Check)



2020.1

Website : valve-toho.com