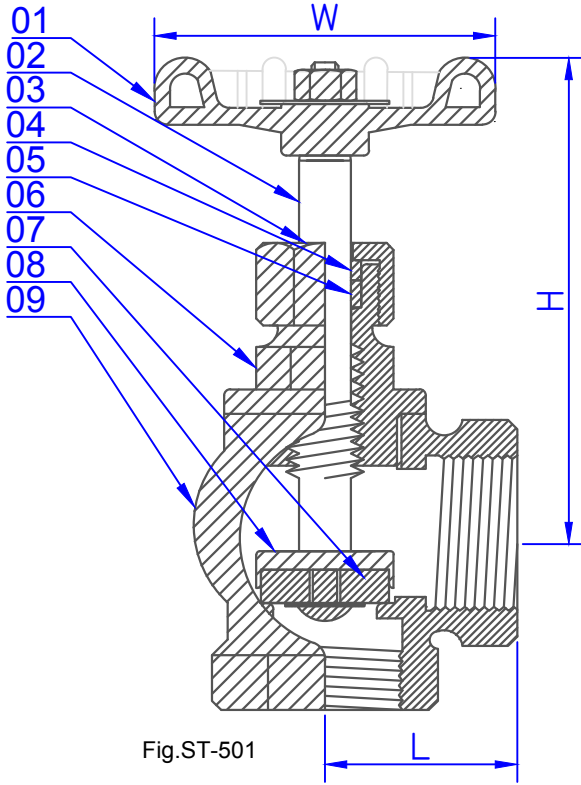




Bronze Angle Valve

ISO 9001 FM584850

2020.1



Feature

1. rising stem
2. screwed in bonnet
3. 150psi saturated steam to 185°C or 365°F
4. working pressure 300 psi

No.	Description	Material	Q'ty	Note
01	Handlewheel	Aluminum	1	
02	Stem	Brass C36000	1	
03	Packing gland	Brass	1	
04	Packing ring	Brass	1	
05	Packing	PTFE	1	
06	Bonnet	Bronze C84400	1	
07	Disc washer	NBR	1	
08	Disc holder	Brass	1	
09	Body	Bronze C84400	1	

Dimension

unit : mm

SIZE	1/4"	3/8"	1/2"	3/4"	1"	1.1/4"	1.1/2"	2"
H	70	70	72	77	85	108	108	117
L	25	25	26	31	35	42	49	61
W	54	54	54	68	68	76	76	83

Series Angle Valve

ST-502 Bronze Angle Valve, with NBR disc washer, M/F, 300WOG



2020.1