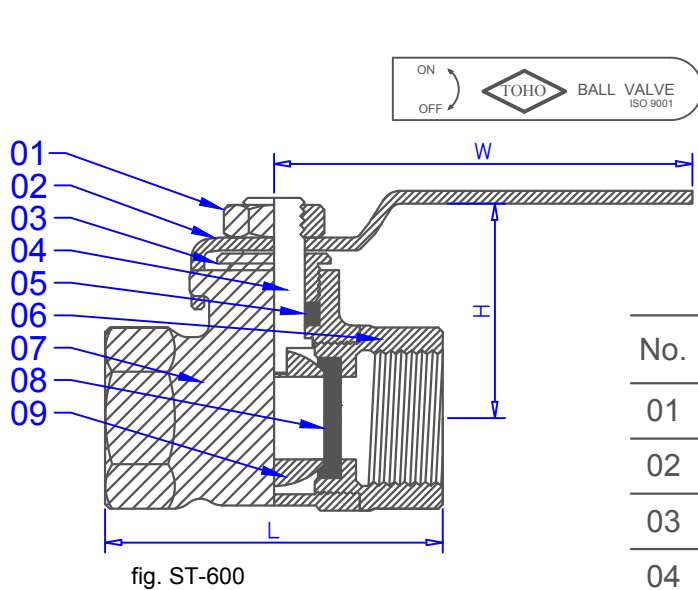




# Bronze Ball Valve

ISO 9001 FM584850



## Feature

1. Blow-out proof stem
2. Two piece design
3. Red. port
4. Working pressure 600WOG, 150WSP

No.	Description	Material	Q'ty	Note
01	Nut	Steel	1	
02	Lever handle	Steel	1	
03	Packing gland	Brass	1	
04	Stem	Brass	1	
05	Packing	PTFE	1	
06	Cap	Bronze C84400	1	
07	Body	Bronze C84400	1	
08	Ball seat	PTFE	2	
09	Ball	1.1/4" ↑ SS304 1" ↓ Brass with Chrome plated	1	

## DIMENSION

unit : mm

SIZE	1/4"	3/8"	1/2"	3/4"	1"	1.1/4"	1.1/2"	2"	2.1/2"	3"	4"
H	47	47	47	52	55	66	72	77	88	117	127
L	49	49	53	56	68	86	96	108	124	159	189
W	106	106	106	106	106	136	136	136	180	219	219
dn	10.0	10.0	12.7	15.0	20.0	25.0	31.8	38.0	50.0	65.0	75.0

## Series Ball Valves

ST-601 Bronze Ball Valves, Full port, 600WOG

JD-F603 Brass Ball Valves, PN30

JD-F614 Brass Ball Valves, M/M ends, PN25

JD-F605 Brass Ball Valves, PN16

JD-F606 Brass Ball Valves, 600WOG



2020.1

Website : valve-toho.com