



Bronze Ball Valve

ISO 9001 FM584850

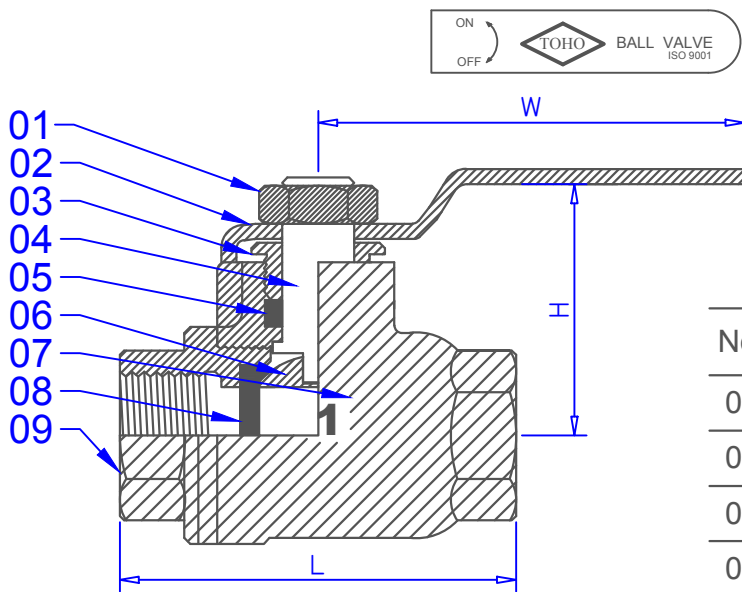


fig. ST-601

Feature

1. Blow-out proof stem
2. Two piece design
3. Full port
4. Working pressure 600WOG, 150WSP

No.	Description	Material	Q'ty	Note
01	Nut	Steel	1	
02	Lever handle	Steel	1	
03	Packing gland	Brass	1	
04	Stem	Brass	1	
05	Packing	PTFE	1	
06	Ball	1" ↑ SS304 3/4" ↓ Brass with Chrome plated	1	
07	Body	Bronze C84400	1	
08	Ball seat	PTFE	2	
09	Cap	Bronze C84400	1	

DIMENSION

unit : mm

SIZE	1/4"	3/8"	1/2"	3/4"	1"	1.1/4"	1.1/2"	2"	2.1/2"	3"
H	46	46	49	56	63	72	75	88	112	130
L	52	52	54	63	76	86	98	111	159	161
W	106	106	106	111	111	136	136	180	219	219
dn	10.0	10.0	12.7	20.0	25.0	32.0	38.0	50.0	65.0	75.0

Series Ball Valves

- ST-600 Bronze Ball Valves, Red. port, 600WOG
- JD-F603 Brass Ball Valves, PN30
- JD-F614 Brass Ball Valves, M/M ends, PN25
- JD-F605 Brass Ball Valves, PN16
- JD-F606 Brass Ball Valves, 600WOG



2020.1