



Bronze 3-Way Test Valve

ISO 9001 FM584850

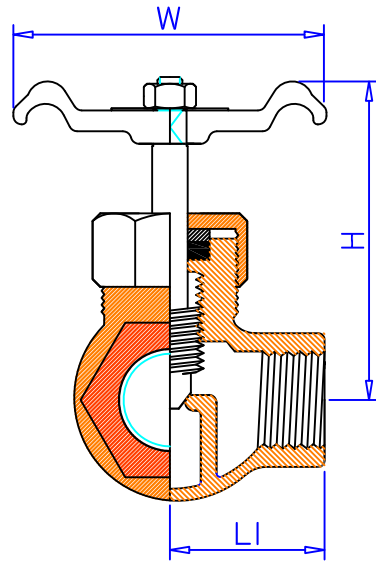
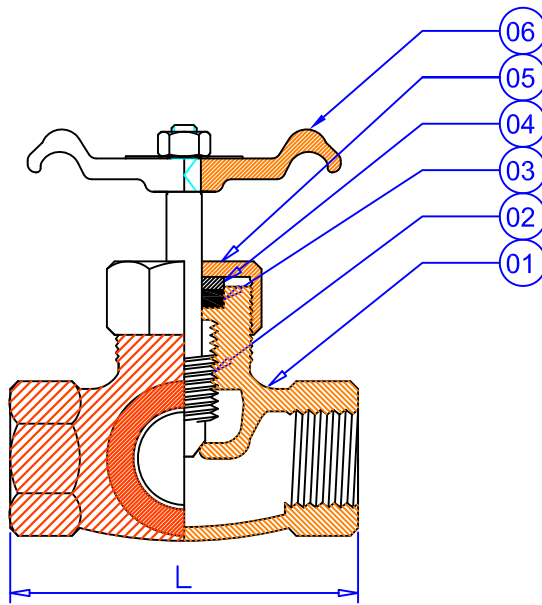
2017.1

Feature

1. rising stem
2. globe type
3. 150psi saturated steam to 185 °C or 365 °F
4. working pressure 300 psi

Connect ends comply to

- B.1.20.1 (NPT)
- BS21.0 (BSPT)
- ISO-7 (Rc, Rp)



ST-901

DIMENSION

unit : mm

SIZE	L	L1	H	W
1/4"	45	20	52	54

6	Handwheel	Aluminum	1
5	Packing gland	Brass C3604	1
4	Packing ring	Brass C3604	1
3	Packing	PTFE	1
2	Stem	Brass C36000	1
1	Body	Bronze C84400	1
No.	Parts	Material	Q'ty

Working Pressure non Shock (unit : psi)	
Saturated Steam	cold Water, Oil, Gas
150	300
Test Pressure (unit : psi)	
Shell (Water)	Seat (Air)
300	80
100 psi = 7Kg (7bar) = 0.7Mpa	