



# Bronze Gate Valve

ISO 9001 FM584850

2017.1

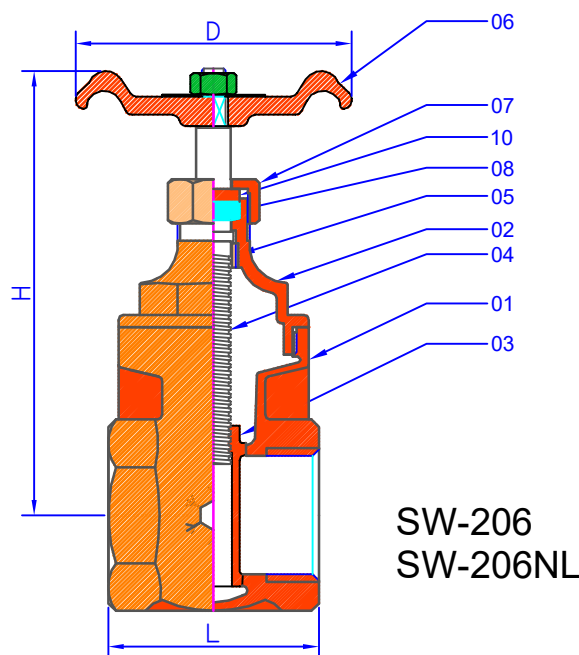
## Feature

1. non rising stem
2. screwed in bonnet
3. 10kgf/cm<sup>2</sup> saturated steam to 185 °C or 365 °F
4. working pressure 20bar
5. comply to BS EN 12288A

Connect ends comply to BS21.0 (BSPT)

Working Pressure non Shock ( unit : bar )	
Saturated Steam	cold Water, Oil, Gas
10.5	25.0
Test Pressure ( unit : bar )	
Shell (Water)	Seat (Air)
37.5	6

100 psi = 7Kg (7bar) = 0.7Mpa

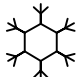


## DIMENSION

unit : mm

SIZE	15mm	20mm	25mm	32mm	40mm	50mm	
H	85	100	110	125	140	180	(mm)
L	49	56	63	75	80	90	(mm)
D	54	61	68	76	83	105	(mm)

N	Nut	Steel	Steel	1
P	Nameplate	Aluminum	Aluminum	1
10	Packing Ring	Brass C3604	Brass C3604	1
8	Packing	Teflon	Teflon	1
7	Packing Gland	Brass C3604	Brass C3604	1
6	Handlewheel	Aluminum	Aluminum	1
5	Stem ring	ASTM C36000	ASTM C6802	1
4	Stem	ASTM C36000	ASTM C6802	1
3	Disc	ASTM C83600	ASTM C89844	1
2	Bonnet	ASTM C83600	ASTM C89844	1
1	Body	ASTM C83600	ASTM C89844	1
No.	Parts	BRONZE	LF <del>Pb</del>	Q'ty

Body Marking		
	DN20	BS EN 12288A
	PN25	

C84400=BS1400 LG1, C83600=BS1400 LG2  
 Note. ASTM B584 C84400 is available  
 Note. DZR (AS352) stem is available  
 Note. Aluminum handle wheel is available