



ISO 9001 FM584850

| Test pressure (MSS SP-110) |     |     |
|----------------------------|-----|-----|
| shell test                 | 900 | psi |
| seat test                  | 660 |     |
| air test                   | 80  |     |

100 psi = 7Kg (7bar)



### Feature

1. Blow-out proof stem
2. Two piece design
3. Full port

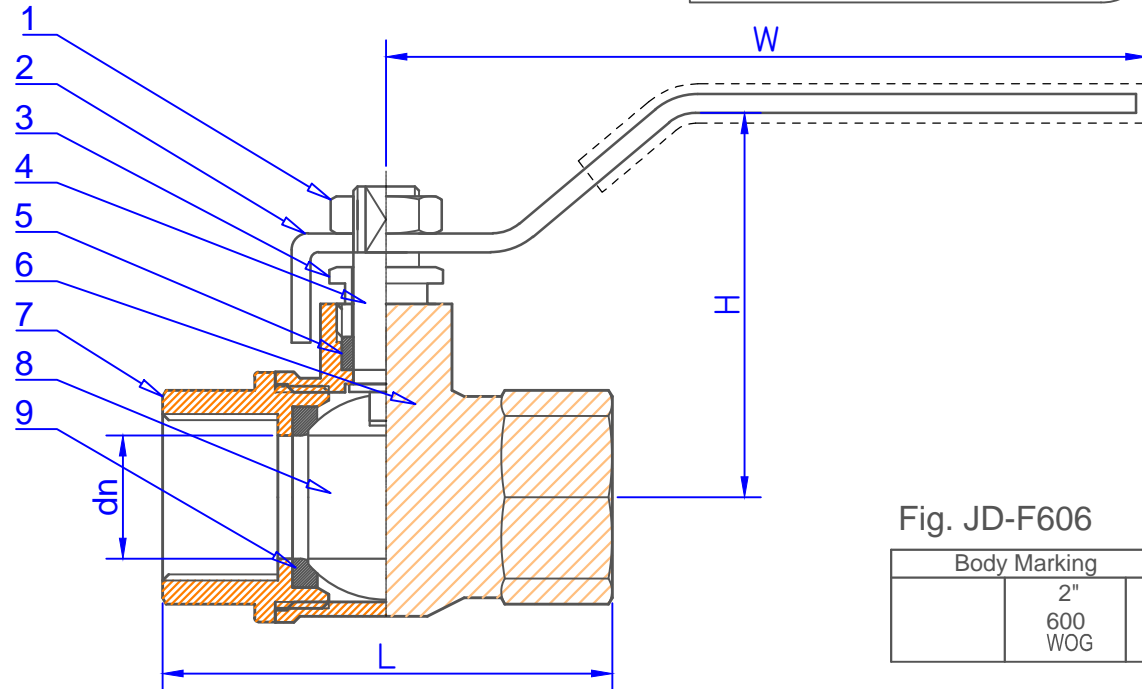


Fig. JD-F606

| Body Marking |  |  |
|--------------|--|--|
| 2"           |  |  |
| 600          |  |  |
| WOG          |  |  |

|     |               |          |
|-----|---------------|----------|
| 9   | Seat          | PTFE     |
| 8   | Ball          | Brass    |
| 7   | Cap           | Brass    |
| 6   | Body          | Brass    |
| 5   | Packing       | PTFE     |
| 4   | Stem          | Brass    |
| 3   | Packing gland | Brass    |
| 2   | Lever handle  | Steel    |
| 1   | Nut           | Steel    |
| No. | Part Name     | Material |

### Dimensions

(mm)

| Size | 1/4"        | 3/8" | 1/2" | 3/4" | 1"  | 1-1/4" | 1-1/2" | 2"  | 2-1/2" | 3"  | 4"  |
|------|-------------|------|------|------|-----|--------|--------|-----|--------|-----|-----|
| H    | 44          | 44   | 48   | 52   | 62  | 67     | 74     | 85  | 106    | 114 | 127 |
| L    | 40          | 40   | 52   | 57   | 72  | 79     | 90     | 103 | 123    | 144 | 167 |
| W    | 83          | 83   | 89   | 92   | 103 | 116    | 133    | 144 | 235    | 235 | 250 |
| dn   | 10          | 10   | 14.5 | 19   | 25  | 30     | 37     | 46  | 62     | 73  | 90  |
| L    | for JD-F608 |      |      |      |     |        |        |     | 136    | 156 | 184 |