



ISO 9001 FM584850

Feature

1. SUS 304 screen, mesh 20.
2. with drain
3. two layers when screen smaller than mesh 20.
4. working pressure 150LBS.

Test pressure (MSS SP-80)		
shell test	450	psi
seat test	330	
air test	80	

100 psi = 7Kg (7bar)

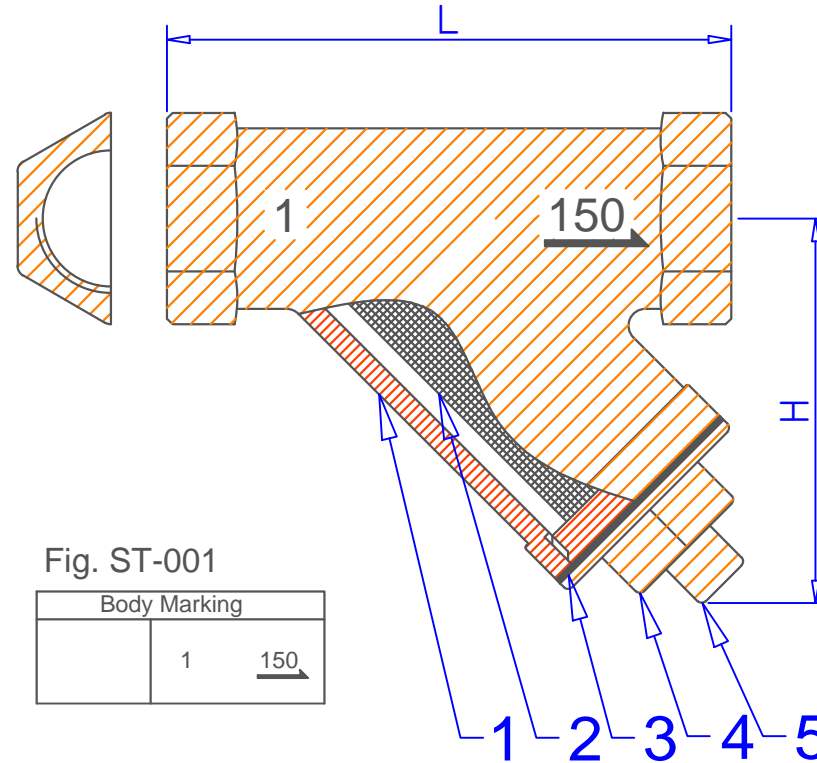


Fig. ST-001

Body Marking	
1	150

5	Plug	Bronze
4	Cap	Bronze
3	Gasket	PTFE
2	Screen	SS304
1	Body	Bronze
No.	Part Name	Material

Dimensions

	(mm)										
Size	1/4"	3/8"	1/2"	3/4"	1"	1-1/4"	1-1/2"	2"	2-1/2"	3"	4"
H			60	70	75	90	102	128	132	146	
L			80	100	115	135	160	190	229	264	