



ISO 9001 FM584850

Test pressure (MSS SP-80)		
shell test	300	psi
seat test	220	
air test	80	

100 psi = 7Kg (7bar)



### Feature

1. Y pattern
2. Horizontal swing type.
3. SS 304 Hinge Pin for 2 1/2"--4"
4. Solder ends comply to ANSI B16.18  
BS 864

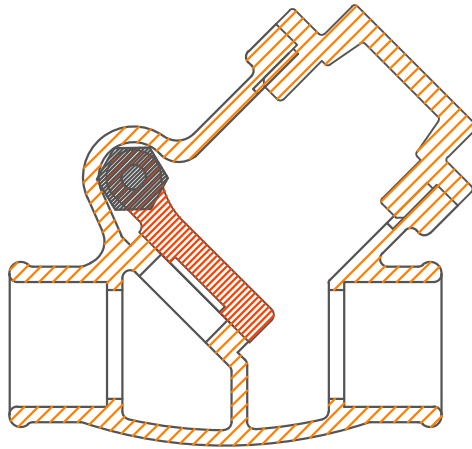


Fig. ST-404 for solder ends

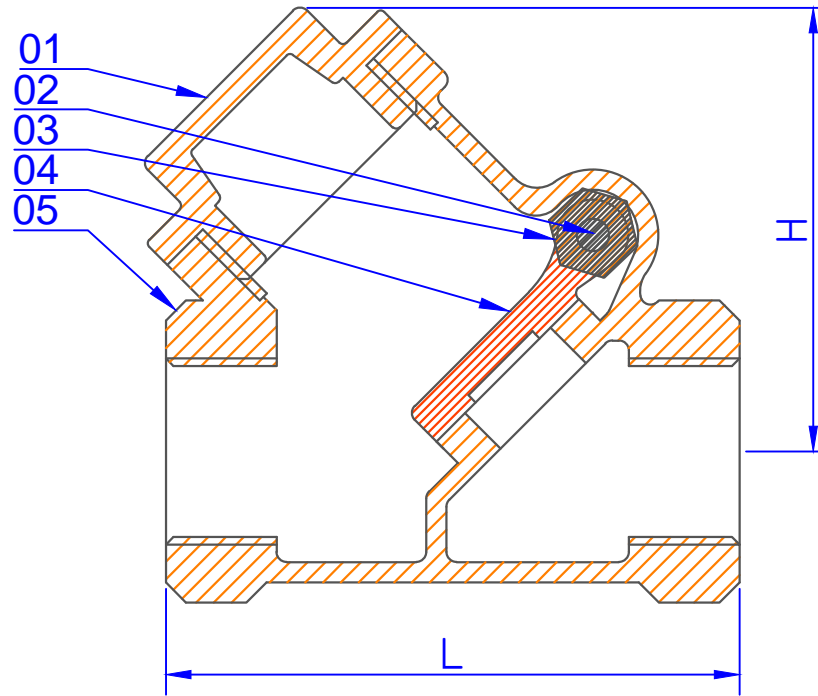


Fig. ST-403

Body Marking		
1/2	125 SWP 200 CWP	➔

5	Body	Bronze
4	Disc	Bronze
3	Plug	Brass
2	Hinge pin	Brass
1	Cap	Bronze
No.	Part Name	Material

### Dimensions

Size		1/2"	3/4"	1"	1-1/4"	1-1/2"	2"	2-1/2"	3"	4"
H		43	51	61	71	80	95	123	140	175
L	Fig-403	55	66	80	92	110	128	156	180	230
L	Fig-404	55	75	93	105	123	146	178	203	