



ISO 9001 FM584850

Feature

1. Y pattern
2. Horizontal swing type.
3. SS 304 Hinge Pin for 2 1/2"--4"

Test pressure		(MSS SP-80)
shell test	300	psi
seat test	220	
air test	80	

100 psi = 7Kg (7bar)

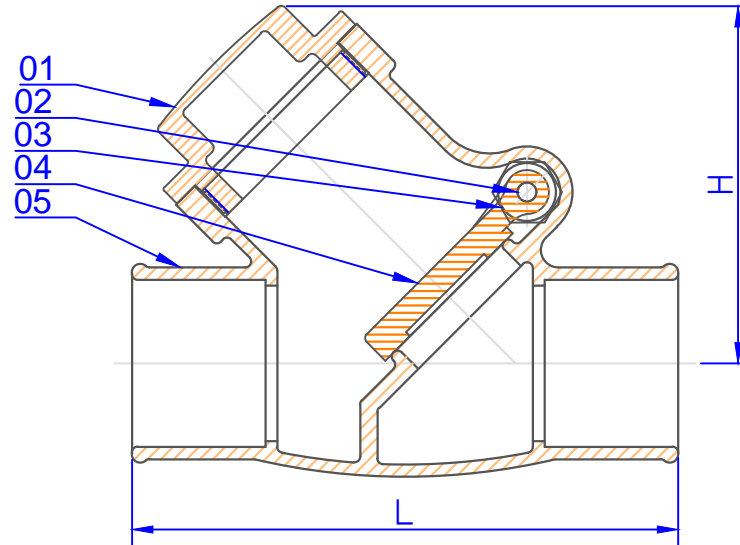


Fig. ST-404

Body Marking		
1/2	125 SWP 200 CWP	→

5	Body	Bronze
4	Disc	Bronze
3	Plug	Brass
2	Hinge pin	Brass
1	Cap	Bronze
No.	Part Name	Material

Dimensions

Size	(mm)										
	1/4"	3/8"	1/2"	3/4"	1"	1-1/4"	1-1/2"	2"	2-1/2"	3"	4"
H			43	51	61	71	80	95	123	140	
L			55	74	94	106	125	148	178	203	