



ISO 9001 FM584850

Test pressure (MSS SP-110)		
shell test	900	psi
seat test	660	
air test	80	

100 psi = 7Kg (7bar)



### Feature

1. Blow-out proof stem
2. Two piece design
3. Red. port
4. Working pressure 600WOG, 150WSP

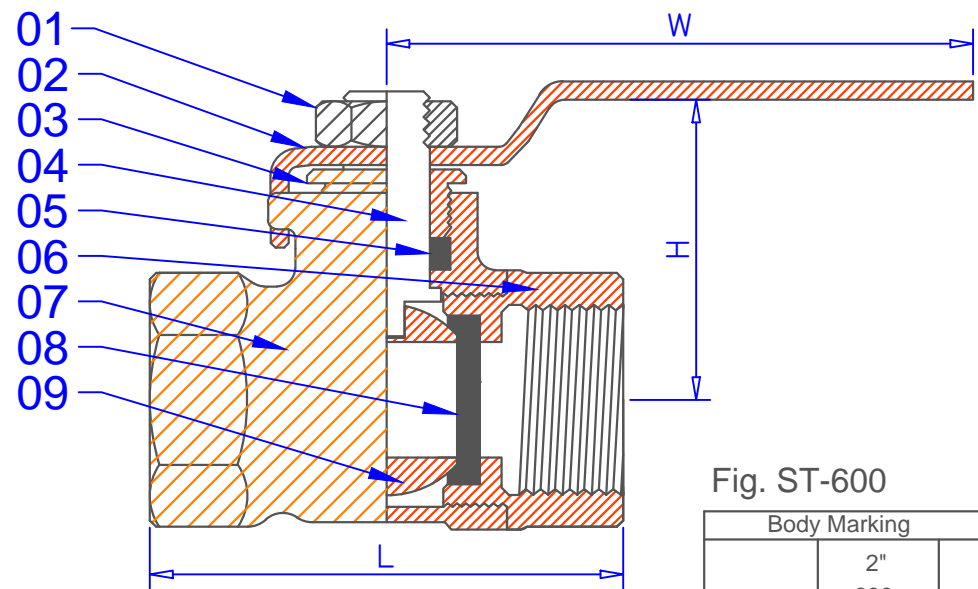


Fig. ST-600

Body Marking		
	2"	
	600	

9	Ball	1-1/4" ↑ SS304 1" ↓ Brass
8	Ball seat	PTFE
7	Body	Bronze
6	End cap	Bronze
5	Packing	PTFE
4	Stem	Brass
3	Packing gland	Brass
2	Lever handle	Steel
1	Nut	Steel
No.	Part Name	Material

### Dimensions

	(mm)										
Size	1/4"	3/8"	1/2"	3/4"	1"	1-1/4"	1-1/2"	2"	2-1/2"	3"	4"
H	47	47	47	52	55	66	72	77	88	117	127
L	49	49	53	56	68	86	96	108	124	159	189
W	106	106	106	106	106	136	136	136	180	219	219