



ISO 9001 FM584850

## Feature

1. Vertical type
2. with Spring loaded
3. Working pressure 250WOG
4. Solder ends comply to ANSI B16.18  
BS 864

Test pressure (MSS SP-80)		
shell test	375	psi
seat test	275	
air test	80	

100 psi = 7Kg (7bar)

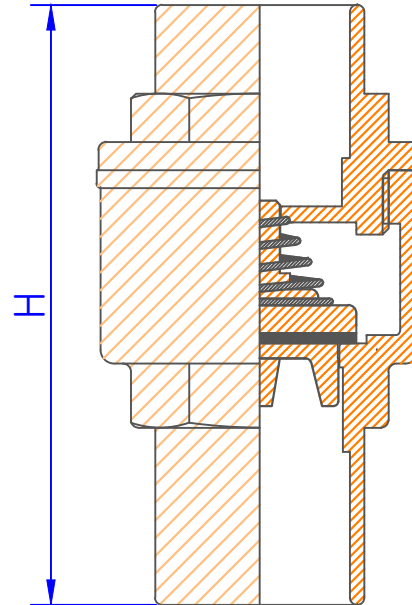


Fig. ST-700

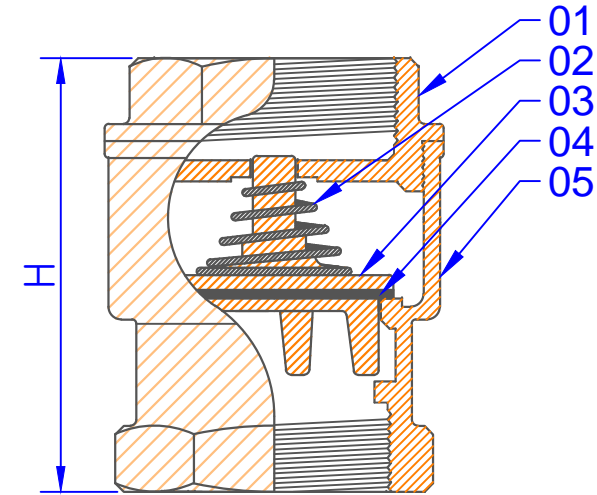


Fig. ST-701

Body Marking		
TOHO	2"	
TW	250WOG	↑

Various valves name,  
Vertical Check Valves  
Silent Check Valves  
In-Line Check Valves

## Dimensions

(mm)

Size	Fig	1/2"	3/4"	1"	1-1/4"	1-1/2"	2"	2-1/2"	3"	4"
H	ST-701	53	59	68	79	88	98			
	ST-700	60	74	87	96	110	127			

5	Body	Bronze
4	Disc washer	NBR
3	Disc	Bronze
2	Spring	Brass
1	End cap	Bronze
No.	Part Name	Material