



ISO 9001 FM584850

Feature

1. flange ends conform to JIS B 2011 (version 2003)
2. rising stem
3. flange ends with groove
4. working pressure 5K (1Mpa)

Test pressure (MSS SP-80)		
shell test	7.5	bar
seat test	5.5	
air test	6	

100 psi = 7Kg (7bar)

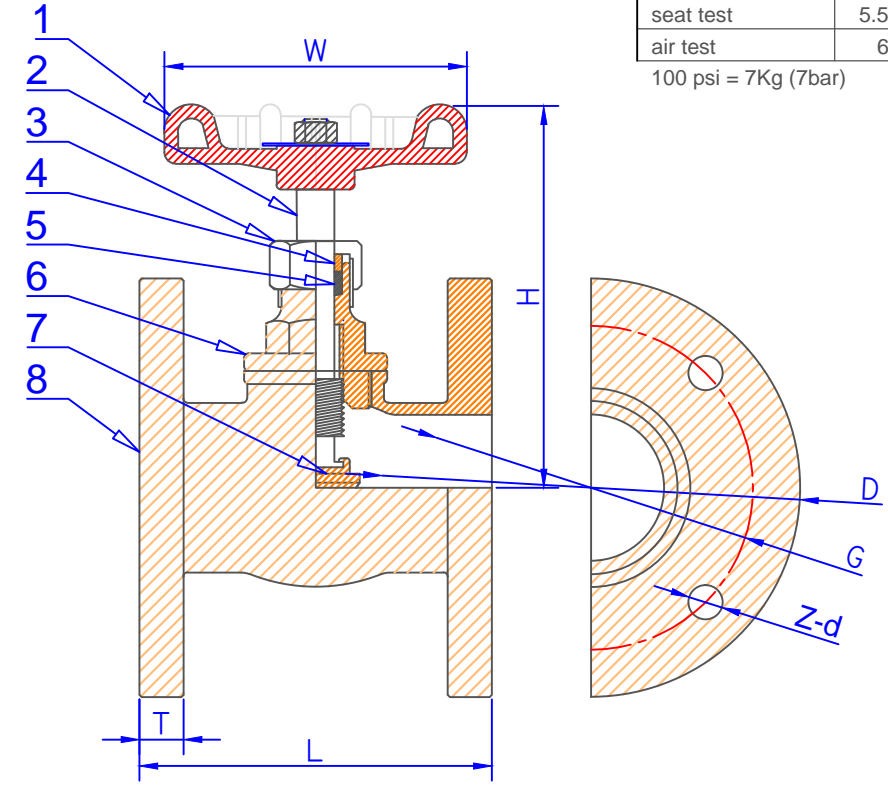


Fig. ST-804

Body Marking		
	2" 5K	⇨

8	Body	Bronze
7	Disc	Brass
6	Bonnet	Bronze
5	Packing	PTFE
4	Packing ring	Brass
3	Packing gland	Brass
2	Stem	Brass
1	Handle wheel	Aluminum
No.	Part Name	Material

Dimensions

(mm)

Size			1/2"	3/4"	1"	1-1/4"	1-1/2"	2"	2-1/2"	3"	4"
H			69	78	89	115	120	142	157		
L			60	70	80	100	100	119	139		
W			54	61	68	77	77	83	105		
T			9	10	10	12	12	14	14		
D			80	85	95	115	120	130	155		
G			60	65	75	90	95	105	130		
Z-d			12-4	12-4	12-4	15-4	15-4	15-4	15-4		